

兩線式溫度信號隔離傳送器

(HEAD-MOUNTED TWO WIRE TEMPERATURE SIGNAL ISOLATED TRANSMITTER)

MODEL
TW-I



HM-1
(24x48x48.5mm)

■特點(FEATURES)

- 精確度0.1%滿刻度(Pt-100),0.2%滿刻度±0.5°C冷接點補償(TC)(Accuracy 0.1% F.S.(Pt-100),0.2% F.S.±0.5°C (CJC)(TC))
- 溫度SENSOR輸入種類(Pt-100/J/K/T/E/R/S/B)可任意規劃(Input type (Pt-100/J/K/T/E/R/S/B) can be modified)
- 輸出範圍(-19999~99999)/顯示單位(°C, °F)可任意規劃(Output range(-19999~99999)/Display unit(°C, °F)can be modified)
- 感應器輸入斷線保護功能最大輸出電流小於≤21mA (Burnout protection function, upscale the output current limit of approximately ≤21mA)
- 寬範圍電源輸入直流12至28伏特(Field-rangeable supply voltage from 12 to 28V)
- 輸出DC4~20mA負載能力強 (Output DC4~20mA, RL(max.)=(Vsupply-12V)/20mA, up to 600 ohms at 24VDC)
- 輸入與輸出絕緣耐壓1.5仟伏特/1分鐘(Dielectric strength 1.5KVac/1min(input/output))

1. MODEL: TW-I □ (選購型號)

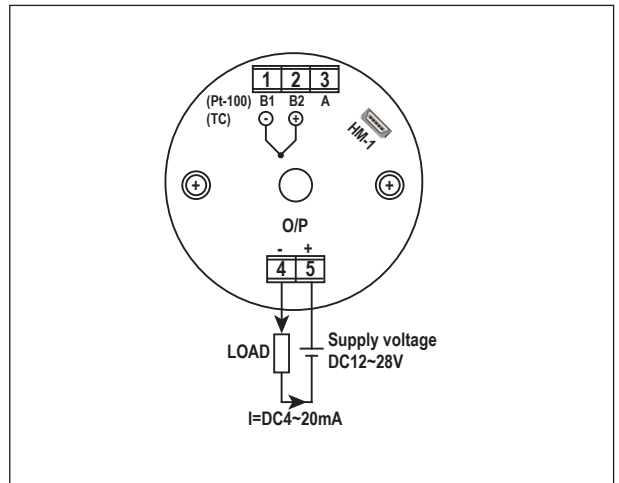
NO	Input Range	NO	Input Range
P	Pt-100(-200~850°C)	K	K(-200~1360°C)
B	B(200~1800°C)	R	R(0~1760°C)
E	E(-185~990°C)	S	S(0~1760°C)
J	J(-200~760°C)	T	T(-200~395°C)

1-1 MODEL: HM-1 (Handly meter for TW-I programmable) (選購型號)(TW-I 修改規格專用錶)

2. SPECIFICATION (主要規格)

- Supply voltage (輔助電源): DC12~28V(<21mA)
- Measuring accuracy (精確度)(23±5°C): 0.1%F.S.(Pt-100)
0.2%F.S.±0.5°C (CJC)(Thermocouple)
- Cold junction compensation accuracy (熱電偶冷接點補償精確度): < ±0.5°C (-10~70°C)
- Output current (輸出電流): DC4~20mA
- Respones time (輸出反應時間): <250ms(0~90%)
- Analog output zero-according display range:-19999~+99999 digit adjustable (最低輸出對應顯示值範圍)
- Analog output span-according display range:-19999~+99999 digit adjustable (最高輸出對應顯示值範圍)
- Output load capability (輸出負載能力): RL(max.)=(V supply-12V)/20mA (up to 600 ohm at 24VDC)
- Output ripple(p-p) (輸出漣波): <0.1% F.S.
- Burnout protection (斷線保護): Upscale the output current limit of approximately 21mA
- Zero(offset) range (歸零調整範圍): 0~±6000 digit adjustable(use HM-1)
- Span(scale) range (最大值調整範圍): 0~±6000 digit adjustable(use HM-1)
- Temp. coefficient (溫度係數): 50ppm/°C (0~50°C)
- Parameter setting (參數設定方式): Touch switches(use HM-1)
- Memory mode (記憶型式): Non-volatile Flash memory
- Isolation (隔離特性): Input/Output/Case
- Dielectric strength (絕緣耐壓能力): 1.5KVac/1 min.(input/output/case)
1200Vdc(input/output/case)
- RFI protection (RFI保護): 2W-1500MHz at 2 meter causes less than 0.5% change in output
- Operating condition (使用環境條件): -5~60°C (20 to 90% RH non-condensed)
- Storage condition (存放環境條件): -10~70°C (20 to 90% RH non-condensed)
- Case materials (外殼材料): PBT(UL96-V0)
- Construction (安裝方式): Head-mounting(DIN type B head)
- CE EMC Certification (CE 認證): EN 55022:1998/A1:2000 Class A
EN 61000-3-2:2000
EN 61000-3-3:1995/A1:2001
EN55024:1998/A1:2001

3. TERMINAL CONNECTION (接線圖)



4. DIMENSION (unit:mm) (外型尺寸)

