



Dimensions: 75.5(D)x45(W)x96(H) mm

CD1048FS Series

48Watts, Single Output

Features

- High power density
- Universal input range
- Convection cooled
- RoHS compliance
- 3 year warranty
- Great reliability
- DIN Rail / Wall bracket mounting solution
- Over voltage protection
- Overload protection
- Short circuit protection

Safety Standards



EN 60950 (Marking)



UL 508 (Certificate)
CSA 22.2 (Certificate)

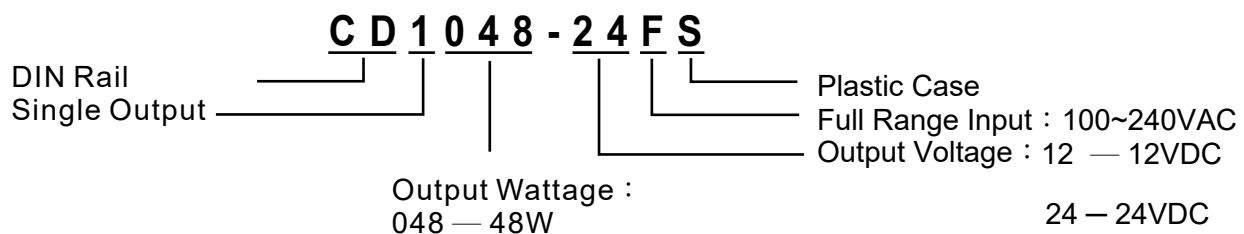
EMC Standards

EN55011	Class B
EN55022	Class B
EN61000-4-2	Level 3
EN61000-4-3	Level 3
EN61000-4-4	Level 3
EN61000-4-5	Level 3
EN61000-4-6	Level 3
EN61000-4-8	Level 3
EN61000-4-11	Level 3

Model List

Model	O/P Voltage Adjustment	Min.	Loading Rated	Max.	Ripple Noise	Efficiency	Over Voltage Protection
CD1048-12FS	+12VDC±10%	0A	4.0A	4.0A	100mVp-p	80%	20VDC Max.
CD1048-24FS	+24VDC±10%	0A	2.0A	2.0A	150mVp-p	83%	40VDC Max.

Model Encoding



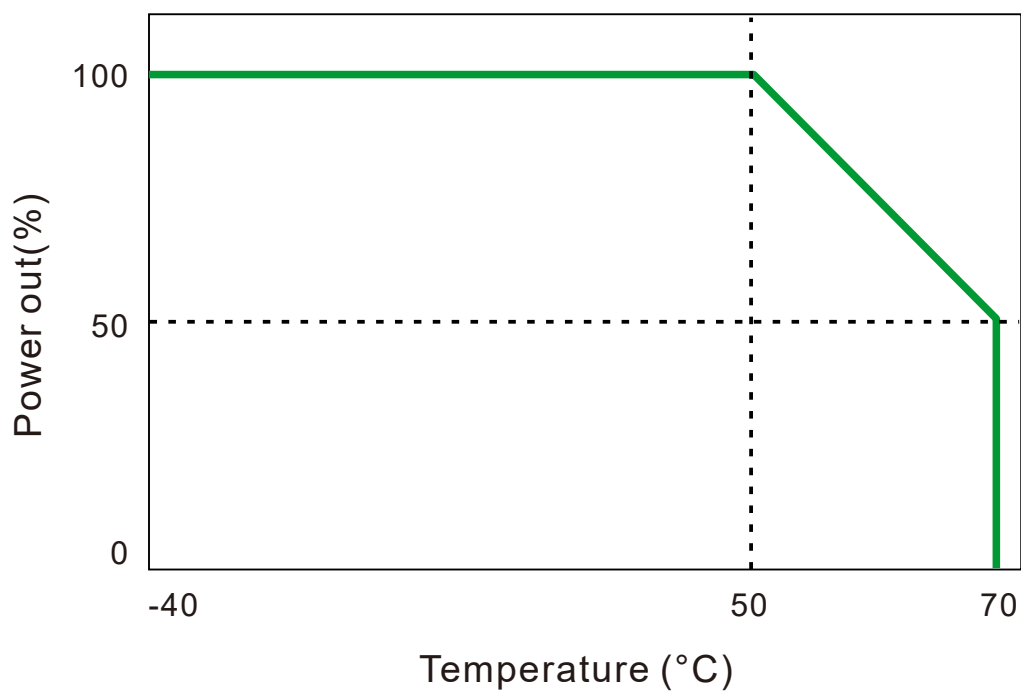
Specification

General	
Switching Frequency	66kHz
Isolation Voltage	Input-Output 3000VAC/4242VDC
	Input-FG 1500VAC/2121VDC
	Output-FG 500VAC/ 710VDC
Isolation Resistance	100MΩ when Input-Output @500VDC
Operating Temperature	-40°C~50°C ambient
Derating	2.5% per degree from 50°C to 70°C
Storage Temperature	-40°C to +85°C
Relative Humidity	5%~95% RH, Non-condensing.
Temperature Coefficient	±0.04% of output voltage per °C
MTBF	100,000hrs Min. Per MIL-HDBK-217F, 25°C GB
Attitude During Operation	2000m
Installation position	Vertical
Vibration	Random Vibration, 10~500Hz. 3 axis
Input	
Input Voltage	100~240VAC/120~370VDC
Input Frequency	47~63Hz
Inrush Current (cold start)	11A/115VAC 22A/230VAC
Rated Input Current	1A Max., Vi=100~240VAC
Leakage Current	Input-output 0.25mA, Input-FG 3.5mA, Vi=250VAC
Output	
Output Voltage accuracy	±1%
Minimun Load	0%
Line Regulation	±1%, measuring from low line to high line rated load
Load Regulation	±1%, measuring from 20% to 100% of rated load 230VAC input
Voltage Trim Range	±10%(Min.)
Rated Continuous Loading	4A@12VDC, 2A@24VDC
Hold Up Time	30mS Min., Full load@230VAC.
Turn On Time	300mS
Rise Time	10mS
Fall Time	35mS

Specification

Output		
Transient Response	Recovery Time	2mS, Load change 50% to 100%
	Voltage Deviation	5%, Load change 50% to 100%
Efficiency		See model list, measuring at rated load and 230VAC input
Ripple and Noise		See model list, measuring by using a 0.1 μ F/630V metalize capacitor and a 47 μ F electrolytic capacitor parallel on the test point, at rated load and 230VAC input.
Protection		
Input Fuse		2A/250V
Internal Surge Load Protection		Varistor, IEC6100-4-5
Degree of Protection		IP20
Short Circuit Protection		Autorecovery
Over Voltage Protection		Autorecovery
Rated Over Load Protection		150~250%
Overload protection		Power limited

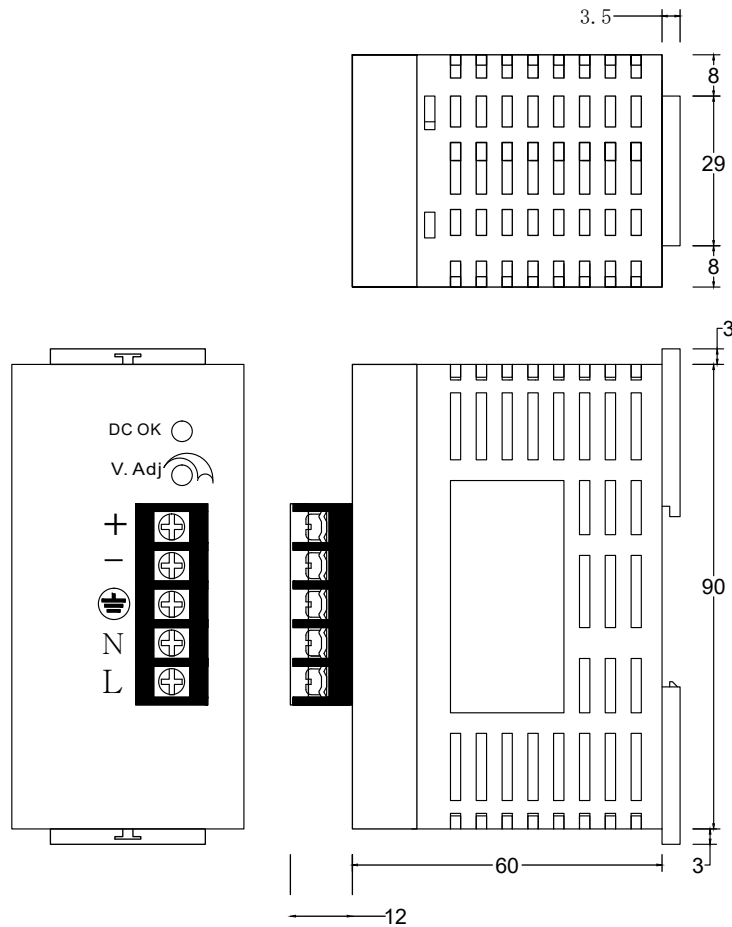
Derating Curve



CD1048FS Series

48Watts, Single Output

Mechanical Details

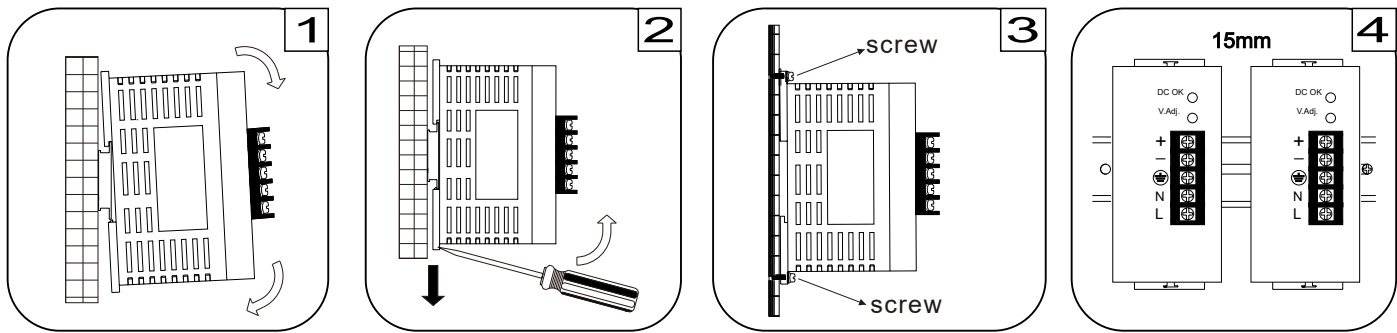


Case No.	CD024	
Dimensions	75.5(D)x45(W)x96(H)mm	
Case Material	Plastic	
Weight	CD1048-12FS	229 g
	CD1048-24FS	229.8 g

Terminal Allocation

Designation	Description
DC OK	Green LED Indicator
V Adj.	O/P Voltage adjustment
+	Output Positive
-	Output Negative
⊕	Earth
N	Input Neutral
L	Input Line

Installation instruction



Place the top of the CD1048FS rail mount over the top of the DIN rail. Tilt the bottom of the CD1048FS toward the DIN rail until it snaps into place.

To remove CD1048FS from the DIN rail, use a flathead screwdriver to pull down the bottom of the rail mount and tilt it away from the DIN rail.

To install CD1048FS on wall/plate, pulling both mounting brackets out first. Then screwing the two brackets with screws onto wall/plate.

The vents of housing is designed for dissipating heat, please keeping a minimum distance of 15mm from each other.

CHUNDE TECHNOLOGY CO., LTD

<http://www.chunde.com.tw>

E-mail: chunde88@chunde.com.tw

Tel: 886-7-3735373 Fax: 886-7-3758835

No.136, Mingshan 10th St., Renwu Dist, Kaohsiung County 814, Taiwan(R.O.C.)