

DIGITAL I/O to RS-485 ISOLATED CONVERTER

DCRS-D-0310M

FEATURES

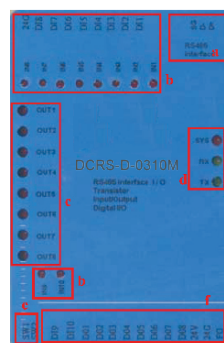
- ModBus protocols for RTU & ASCII
- Digital input points x 10; Digital output points x 8
- High stability, non-flammable case (PC), high safety



SPECIFICATION

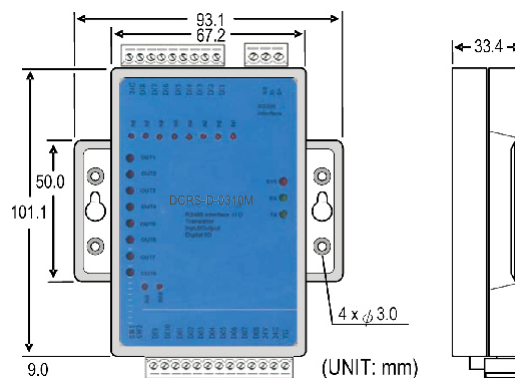
- ◆ LED Indication:
 - SYS: High brightness red round LED
 - RX: High brightness green round LED
 - TX: High brightness green round LED
 - RS-485 x 1
- ◆ Serial Port:
- ◆ CPU: 8051 microcontroller
- ◆ Flash Memory: 64 KB
- ◆ Memory: 32 KB
- ◆ Protocol Support: ModBus/RTU, ModBus/ASCII
- ◆ System Configuration: Serial CONSOLE (ID, Baud Rate)
- ◆ Digital Input Points: 10 points, DC 24V / 7mA
- ◆ Input Impedence: 3.9KΩ
- ◆ Digital Output Points: 8 points, DC 24V
- ◆ Output Type: NPN / Sink
- ◆ Response Time: 8 msec
- ◆ Operating Temperature: 0~55°C
- ◆ Operating Humidity: 20~95% RH (non-condensing)
- ◆ Storage Temperature: -10~70°C
- ◆ Storage Humidity: 20~95% RH (non-condensing)
- ◆ Terminal Resistance: 120Ω
- ◆ Installation: Surface mount, wall mount

FRONT PANEL

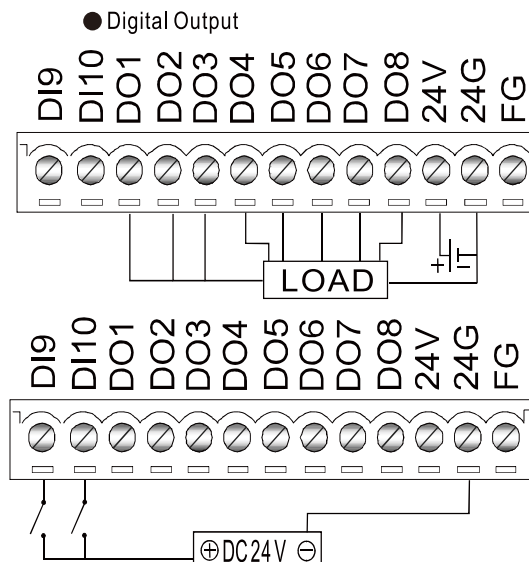
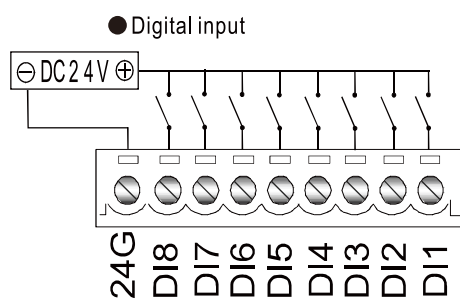


- a. RS485 Port
- b. CONN1 and Digital Input LED
- c. Digital Output LED Indicator
- d. System LED Indicators
- e. Function DIP Switch
- f. CONN2

DIMENSION



WIRING CONNECTION



C