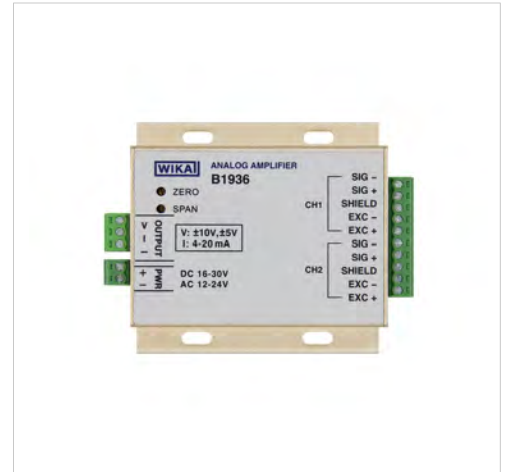
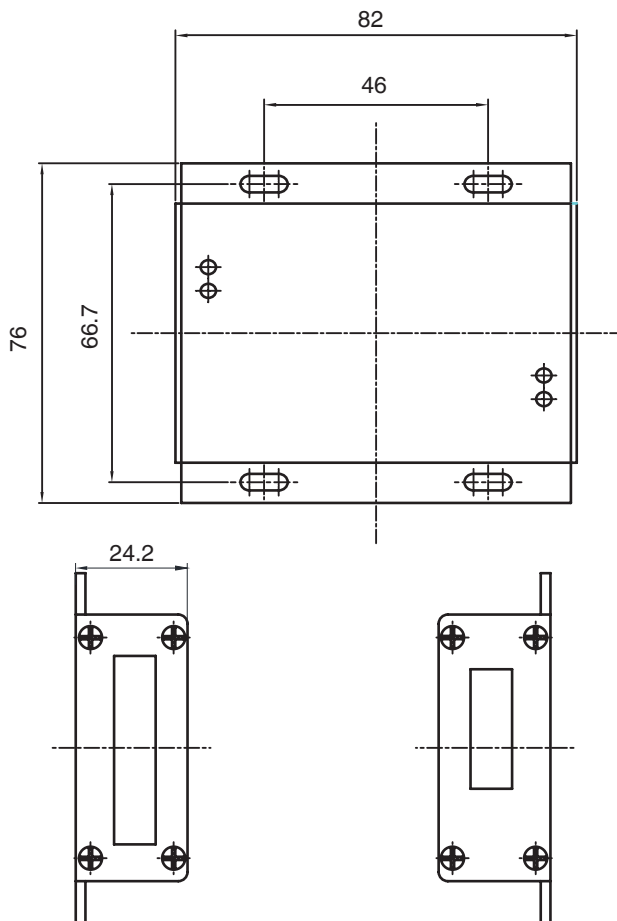


放大器 / Amplifier

B1936

尺寸 / Size



特点和用途 / Features&Applications

- 面板安装
- 输入范围宽, 0.4...6mV/V
- 提供最多两路信号输入, 每路可连接一只含 350Ω 的传感器
- 采用原装进口电子元器件, 响应频率高, 长期稳定性好, 综合精度达到 0.01% F.S.
- 输入电源反接保护和输出短路保护
- Compact design
- Wide input range, 0.8...6mV/V
- Provides up to two signal inputs, each of which can be connected to a sensor containing 4x350Ω resistance
- Using imported electronic components, with high frequency response and longterm stability, max. accuracy 0.01%F.S.
- Input power reverse protection and output short-circuit protection

技术参数 / Technical Parameters

参数	Specifications	技术指标/Technique
工作电压	Power supply	18...30VDC
最大功率	Maximum Power	3W
电流输出	Current output	0...20mA/4...20mA (可调)
电压输出	Voltage output	0...5V/0...10V/0...±5V/0...±10V
激励电压	Recommended excitation	5VDC
信号输入范围	Signal Input	0.8...6mV/V
输入输出通道	Channel qty	2路输入1路输出 (Two inputs and one output)
标定方式	Electronic identification	电位器调节 (Potentiometer regulation)
采集频率	Acquisition frequency	100Hz/5,000Hz
零位漂移	Zero drift	±0.1uV/°C
增益漂移	Gain drift	±5ppm/°C
综合精度	Accuracy	±0.01%F.S.
工作温度	Operation temp range	-10...60°C
存储温度	Deposited temperature	-30...80°C
外壳材料	Material	Aluminum alloy (铝合金)
防护等级	IP Class	IP53
重量	Weight	0.1kg