

# 超薄型溫度隔離傳送器

( ULTRA SLIM TYPE TEMPERATURE ISOLATED TRANSMITTER )

MODEL  
SSTMT

## ■特點(FEATURES)

- 精確度 0.1% 滿刻度 (Pt-100), 0.2% 滿刻度  $\pm 0.5^{\circ}\text{C}$  冷接點補償 (TC) (Accuracy 0.1% F.S. (Pt-100), 0.2% F.S.  $\pm 0.5^{\circ}\text{C}$  (CJC) (TC))
- 溫度輸入種類 (Pt-100/J/K/T/E/R/S/B) 與溫度輸出範圍 (-1999.9 至 9999.9 $^{\circ}\text{C}$  或  $^{\circ}\text{F}$ ) 可經由參數設定錶任意規劃 (Input sensor type (Pt-100/J/K/T/E/R/S/B) and output range (-1999.9~9999.9 $^{\circ}\text{C}/^{\circ}\text{F}$ ) can be modify for handy meter)
- 開關式直流輸出規劃功能 (Wide switchable select DC output ranges over 20 standard process signal)
- 熱電偶輸入斷線保護功能 (Thermocouple input burnout protection function)
- 輸入與輸出絕緣耐壓 1.5 仟伏特/1 分鐘 (Dielectric strength 1.5KVac/1 min. (input/output))
- 寬範圍交直流兩用電源設計 (Wide input range for auxiliary power)
- 尺寸小, 穩定性高 (Dimension small & High stability)



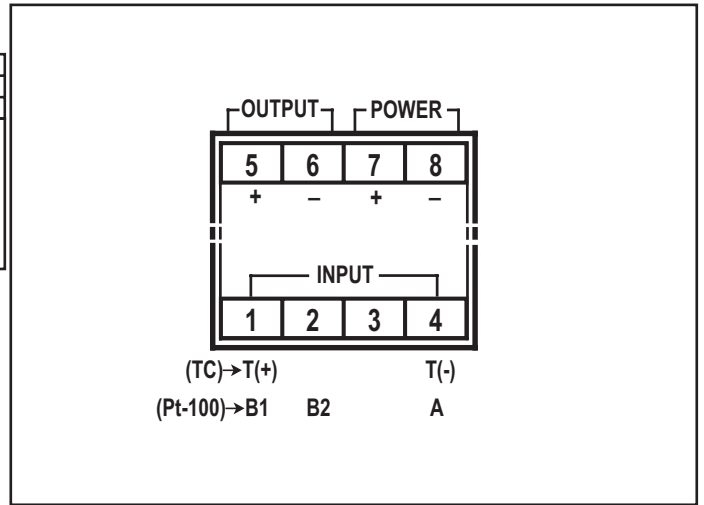
## 1. MODEL: SSTMT-□ □ □ (選購型號)

NO	Input Type	NO	Output Range	NO	Output Range	NO	Aux. Power
P	Pt-100(-200~850 $^{\circ}\text{C}$ )	A	0~0.5V	J	0~1mA	A	DC20~60V
B	B(200~1800 $^{\circ}\text{C}$ )	B	0~1V	K	0~2mA	B	AC/DC90~240V
E	E(-185~990 $^{\circ}\text{C}$ )	C	0~2V	L	0~5mA		• Less 0.8VA for AC/DC input
J	J(-200~760 $^{\circ}\text{C}$ )	D	0~4V	M	1~5mA		
K	K(-200~1360 $^{\circ}\text{C}$ )	E	0~5V	N	0~10mA		
R	R(0~1760 $^{\circ}\text{C}$ )	F	1~5V	O	0~16mA		
S	S(0~1760 $^{\circ}\text{C}$ )	G	0~8V	P	0~20mA		
T	T(-200~395 $^{\circ}\text{C}$ )	H	0~10V	Q	4~20mA		
		I	2~10V	R	SPECIFIED		

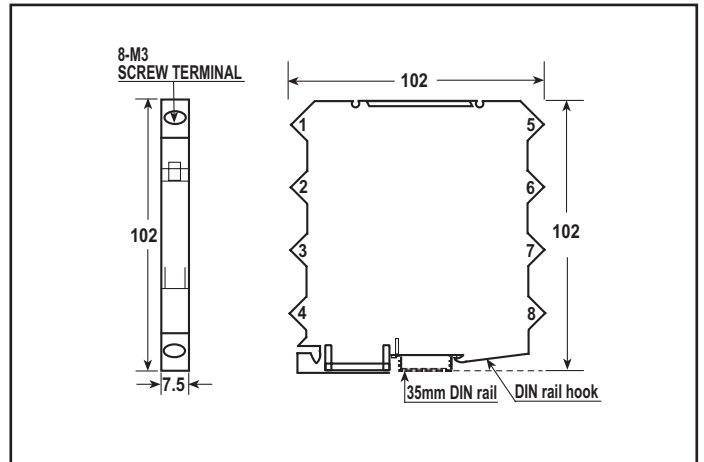
## 1-1. MODEL: HM: Handy meter for SSTMT programmable (選購型號) (SSTMT 修改規格專用錶)

- ## 2. SPECIFICATION (主要規格)
- Measuring accuracy (精確度): 0.1% F.S. (Pt-100), 0.2% F.S.  $\pm 0.5^{\circ}\text{C}$  (CJC) (Thermocouple)
  - Cold junction compensation accuracy: <  $\pm 0.5$  (0~70 $^{\circ}\text{C}$ ) (熱電偶冷接點補償精確度)
  - Sampling time (取樣時間): 16 cycles/sec.
  - Analog output resolution (類比輸出解析度): 16 bit DAC
  - Response time (輸出反應時間): < 250ms (0~90%)
  - Offset range (input) (熱電偶誤差補償): 0~ $\pm 99.9^{\circ}\text{C}/^{\circ}\text{F}$  (use handy meter)
  - Output drive capability (輸出負載能力): < 10mA for voltage mode, < 10V for current mode
  - Output ripple (p-p) (輸出漣波): < 0.1% F.S.
  - Zero (offset) range (歸零調整範圍): 0~ $\pm 6000$  digit adjustable (use handy meter), 0~ $\pm 5\%$  F.S. (VR adjustable)
  - Span (scale) range (最大調整範圍): 0~ $\pm 6000$  digit adjustable (use handy meter), 0~ $\pm 10\%$  F.S. (VR adjustable)
  - Temp. coefficient (溫度係數): 50ppm/ $^{\circ}\text{C}$  (0~50 $^{\circ}\text{C}$ )
  - Parameter setting (參數設定方式): Touch switches (use handy meter)
  - Memory mode (記憶型式): Non-volatile E<sup>2</sup> PROM memory
  - Isolation (隔離特性): Input/Output/Power/Case
  - Dielectric strength (絕緣耐壓能力): 1.5KVac/1 min. (input/output/power), 1200Vdc (input/output1/output2)
  - Operating condition (使用環境條件): 0~60 $^{\circ}\text{C}$  (20 to 90% RH non-condensed)
  - Storage condition (存放環境條件): 0~70 $^{\circ}\text{C}$  (20 to 90% RH non-condensed)
  - Terminal type (接線端子型式): M3 screw terminal
  - Construction (安裝方式): 35mm DIN rail (EN50022)
  - CE EMC Certification (CE 認證): EN 55022:1998/A1:2000 Class A, EN 61000-3-2:2000, EN 61000-3-3:1995/A1:2001, EN 55024:1998/A1:2001

## 3. TERMINAL CONNECTION (接線圖)



## 4. DIMENSION (unit:mm) (外型尺寸)



## 5. OUTPUT SWITCHING TABLE (switching status 1=on ; 0=off)

Output range	1-2-3-4-5-6	7-8	Output range	1-2-3-4-5-6	7-8
0~0.5V	0-1-1-1-1-0	1-1	0~1mA	0-1-1-1-1-0	0-0
0~1V	1-0-1-1-1-0	1-1	0~2mA	1-0-1-1-1-0	0-0
0~2V	1-1-0-1-1-0	1-1	0~5mA	0-1-0-1-1-0	0-0
0~4V	1-1-1-0-1-0	1-1	1~5mA	1-1-0-1-1-1	0-0
0~5V	1-0-1-0-1-0	1-1	0~10mA	1-0-1-0-1-0	0-0
1~5V	1-1-1-0-1-1	1-1	2~10mA	1-1-1-0-1-1	0-0
0~6V	1-1-0-0-1-0	1-1	0~16mA	1-1-1-1-0-0	0-0
0~8V	1-1-1-1-0-0	1-1	0~20mA	1-1-0-1-0-0	0-0
0~10V	1-1-0-1-0-0	1-1	4~20mA	1-1-1-1-0-1	0-0
2~10V	1-1-1-1-0-1	1-1			