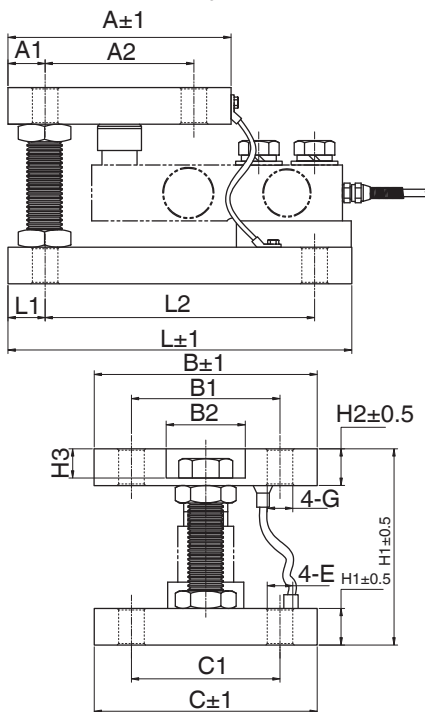


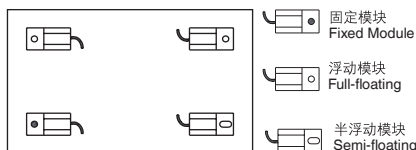
AZK02



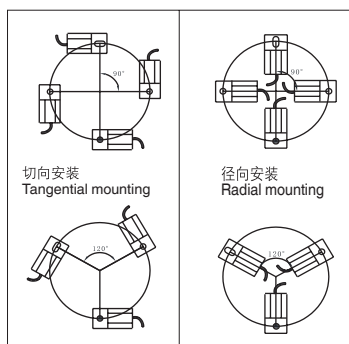
尺寸及量程 / Size and Capacity



安装示意图 / Mounting



注：需配接线盒 B6578 整合信号并输出。
Note: Junction box B6578 is required for trimming of a signal.



| 量程 / Capacity (t) | 材料 / Material | 重量 / Weight |
|--|--|-------------|
| 0.25/0.5/0.75/1/1.5/2 /2.5/3/5/7.5/10 | 不锈钢/Stainless steel 合金钢/Alloy steel | 7.0kg |

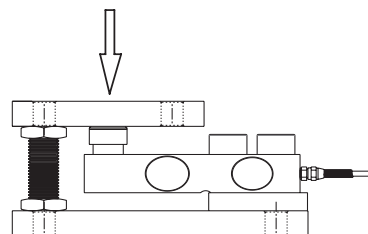
| Capacity(t) | L | L1 | L2 | A | A1 | A2 | B | B1 | B2 | C | C1 | H | H1 | H2 | H3 | G | E |
|-----------------|-------|------|-------|-------|------|-------|-------|-------|----|-------|-------|-------|------|------|------|-------|-------|
| 0.5/1/1.5/2/2.5 | 177.8 | 12.7 | 152.4 | 114.3 | 12.7 | 88.9 | 114.3 | 88.9 | 56 | 114.3 | 88.9 | 104.8 | 19.5 | 25.4 | 15.4 | Φ11 | Φ11 |
| 3/5 | 235.0 | 25.4 | 184.2 | 152.4 | 25.4 | 101.6 | 152.4 | 101.6 | 68 | 152.4 | 101.6 | 136.5 | 25.4 | 31.8 | 16.5 | Φ17.5 | Φ17.5 |
| 7.5/10 | 355.6 | 25.4 | 304.8 | 203.2 | 25.4 | 152.4 | 203.2 | 152.4 | 80 | 203.2 | 152.4 | 190.5 | 44.5 | 44.5 | 25.0 | Φ21.0 | Φ21.0 |



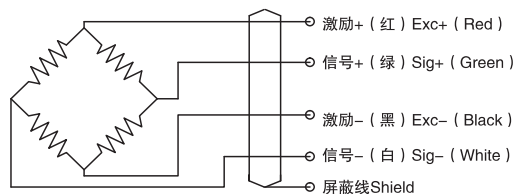
特点和用途 / Features & Applications

- 不锈钢或合金钢材料
- 与传感器 F3831 配套使用
- 用于各类地衡、汽车综合性能检测线、料斗秤、托盘秤、台秤
- Made of stainless steel or alloy steel
- Suitable for sensor F3831
- Mainly used for floor scales, vehicle-test line, hopper scales, platform and pallet scales

受力方式 / Load Direction



接线图 / Schematic Wiring Diagram



注：屏蔽线不与弹性体相连。
Cable shield is not connected to element.