

# 交流瓦特小時, 乏爾小時轉換器 ( AC WATTHOUR & VARHOUR TRANSDUCER )

**MODEL  
PWH**



### ■特點(FEATURES)

- 精確度0.25%滿刻度(Accuracy 0.25%F.S.)
- 多種輸入,輸出選擇(Wide selection of input/output range)
- 輸入與輸出絕緣耐壓2仟伏特/1分鐘(Dielectric strength 2KVac/1min. (input/output/power))
- 沖擊電壓測試5仟伏特(1.2x50us)(Impuse test 5KV(1.2x50us)(IEC255-4,ANSI C37.90a/1974)
- 突波電壓測試2.5仟伏特(0.25ms/1MHz)(Surge test (ring wave)2.5KV(0.25ms/1MHz)(IEC255-4)
- 尺寸小,穩定性高(Dimension small and High stability)

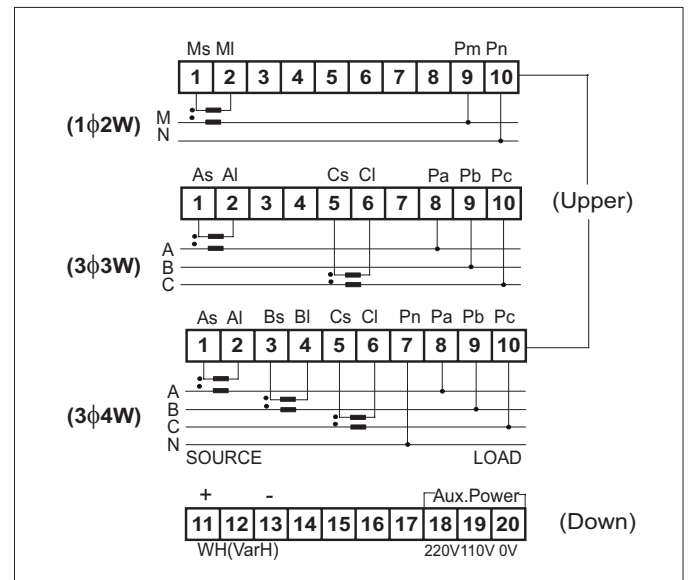
1. MODEL: PWH-   -    -     
(選購型號)

NO	Type	NO	Input Unit	NO	VoitageRange	NO	Current Range	NO	Frequency	NO	Output Pulse	NO	Aux. Power
W	WATT	1	1φ2W	1	0~120V	1	0~1A	A	50Hz	A	1wh or varh/count	A	AC110V/220V
V	VAR	3	3φ3W	2	0~240V	2	0~5A	B	60Hz	B	10wh or varh/count	B	AC/DC20~60V
		4	3φ4W	3	0~400V	9	SPECIFIED	C	400Hz	C	100wh or varh/count	C	AC/DC90~260V
		9	SPECIFIED	9	SPECIFIED			O	SPECIFIED	D	1000wh or varh/count		•less 4VA for AC/DC input
					•Voltage±30%				•Frequency±10%	O	SPECIFIED		

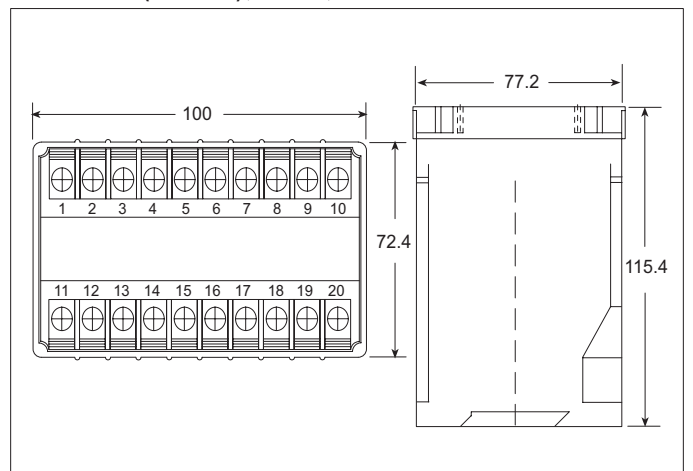
### 2. SPECIFICATION (主要規格)

- Measuring accuracy (精確度) : 0.25% F.S.(23±5°C)
- Input burden (輸入負載) : <0.2VA (Voltage) <0.2VA (Current)
- Maximum input over (最大過載能力) : Current related input: 3 x rated continuous 10 x rated 30 sec. 25 x rated 3sec. 50 x rated 1sec. Voltage related input: maximum 2 x rated continuous < 250ms(0~90%)
- Response time (輸出反應速度) : < 250ms(0~90%)
- Pulse output type (脈波輸出型態) : Photocouple of open collector(max.30V/40mA)
- Zero (offset) range (歸零調整範圍) : 0~±5% F.S.
- Span (scale) range (最大值調整範圍) : 0~±10% F.S.
- Temp. coefficient (溫度係數) : 100ppm/°C (0~50°C)
- Isolation (隔離特性) : Input/Output/Power/Case
- Dielectric strength (絕緣耐壓能力) : 2KVac/1 min. (input/output/power/case)
- Impulse test (衝擊電壓測試) : ANSI C37.90a/1974,DIN-IEC 255-4 impulse voltage 5KV (1.2 x 50us)
- Surge test(ring wave) (突波電壓測試) : 2.5KV-0.25ms/1MHz(IEC255-4)
- Operating condition (使用環境條件) : -20~60°C (20 to 90% RH non-condensed)
- Storage condition (存放環境條件) : -30~70°C (20 to 90% RH non-condensed)
- CE EMC Certification (CE認證) : EN 55022:1998/A1:2000 Class A EN 61000-3-2:2000 EN 61000-3-3:1995/A1:2001 EN 55024:1998/A1:2001

### 3. Terminal Connection (接線圖)



### 4. Dimension(unit:mm)(外型尺寸)



MODEL		Element connection	Standard analog calibration Watts or Vars					
WH	VarH		V=120V		V=240V		V=400V	
			1A	5A	1A	5A	1A	5A
PW1	PV1	1φ2W	100	500	200	1K	400	2K
PW3	PV3	3φ3W	200	1K	400	2K	800	4K
PW4	PV4	3φ4W	300	1.5K	600	3K	1.2K	6K