

# 二迴路輸入直流信號隔離雙輸出傳送器

## (TWO CHANNEL DC SIGNAL ISOLATED DUAL OUTPUT TRANSMITTER)

**MODEL  
DDT**



### ■特點(FEATURES)

- 精確度0.1%滿刻度(Accuracy 0.1% F.S.)
- 二迴路輸入直流信號隔離且各別雙組輸出功能設計  
(Two channel input signal isolated dual output for design)
- 多種輸入/輸出選擇(Wide selection of input/output range)
- 輸入1/輸入2與輸出1/輸出2與電源絕緣耐壓2仟伏特/1分鐘  
(Dielectric strength 2KVac/1min.(input1/input2/output1/output2/power))
- 寬範圍交直流兩用電源設計(Wide input range for auxiliary power)

1. MODEL: DDT-  -

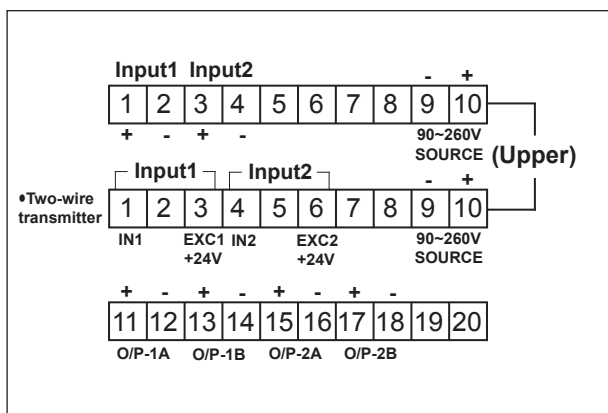
(選購型號)

NO	Input Range	NO	Input Range	NO	Input Range	NO	Input Range	NO	Output Range	NO	Output Range	NO	Output Range	NO	Aux. Power
1	0~50mV	6	2~10V	B	0~1mA	G	0~5A	N	None	F	0~1mA	I	4~20mA	A	AC/DC18~60V
2	0~1V	7	-10~+10V	C	0~10mA	N	None	A	0~50mV	G	0~10mA	T	•4~20mA	B	AC/DC90~260V
3	0~5V	8	0~100V	D	0~20mA	R	SPECIFIED	B	0~1V	H	0~20mA	R	SPECIFIED	•Less 5VA for AC/DC input	
4	1~5V	9	0~300V	E	4~20mA	*Exciting DC24V(<25mA) (two-wire transmitter input)		C	1~5V	*Two-wire transmitter output (Exciting voltage DC10~30V)					
5	0~10V	A	0~600V	F	•4~20mA			D	0~10V						

### 2. SPECIFICATION (主要規格)

- Measuring accuracy (精確度) :0.1%F.S.(23±5°C)
- Input resistance (輸入阻抗) :>1Mohm(<100V ranges)  
>2Mohm(>100V ranges)  
>5Mohm(>200V ranges)  
>10 ohm(mA ranges)  
>0.01 ohm(A ranges)
- Maximum input (最大過載能力) :<1000V(>200V ranges)  
<600V(<200V ranges)  
<300V(<100V ranges)  
<150mA(mA ranges)  
<10A(A ranges)
- Responses time (輸出反應時間) :<250ms(0~90%)
- Output drive capability (輸出負載能力) :<10mA for voltage mode  
<10V for current mode  
<[(V+)-7.5V]/20mA for two-wire mode
- Output ripple(p-p) (輸出漣波) :<0.1% F.S.
- Zero (offset) range (歸零調整範圍) :0~±5% F.S.
- Span (scale) range (最大值調整範圍) :0~±10% F.S.
- Temp. coefficient (溫度係數) :100ppm/°C (0~50°C)
- Isolation (隔離特性) :Input/Output/Power
- Insulation Resistance (絕緣阻抗) :>100Mohm with 500VDC
- Dielectric strength (絕緣耐壓能力) :2KVac/1 min.(input1/input2/output1/output2/power)  
1600Vdc (input/output)
- Operating condition (使用環境條件) :0~60°C (20 to 90% RH non-condensed)
- Storage condition (存放環境條件) :0~70°C (20 to 90% RH non-condensed)
- Construction (安裝方式) :DIN rail mounting and wall mounting
- CE EMC Certification (CE 認證) :EN 55022:1998/A1:2000 Class A  
EN 61000-3-2:2000  
EN 61000-3-3:1995/A1:2001  
EN55024:1998/A1:2001

### 3. TERMINAL CONNECTION (接線圖)



### 4. DIMENSION (unit:mm) (外型尺寸)

