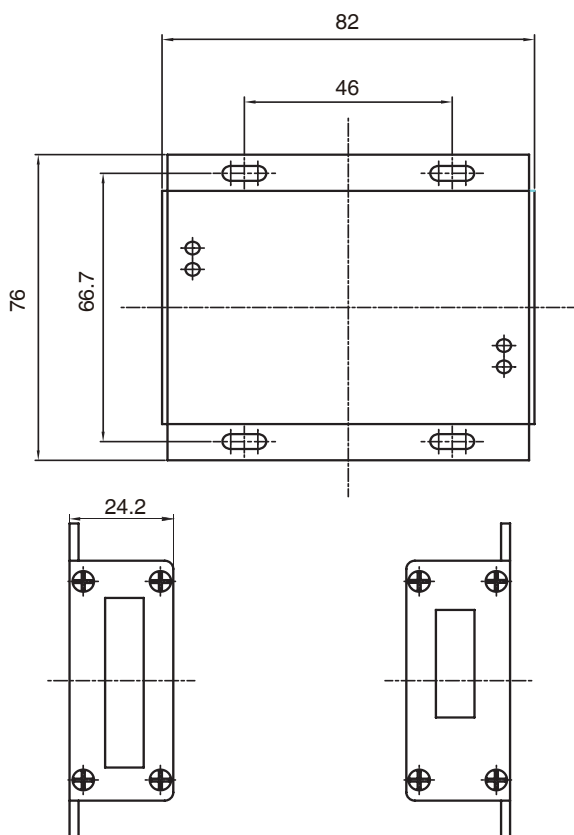


B1968

放大器 / Amplifier

尺寸 / Size



特点和用途 / Features & Applications

- 紧凑型放大器
- 输入范围：0.4...6mV/V
- 负载能力强，可连接4只350Ω传感器
- 采用原装进口电子元器件，响应频率高，长期稳定性好，数字精度±0.001%F.S，模拟精度±0.1%F.S，
- 输入电源反接保护和输出短路保护
- 输出方式可选0...5V, 0...10V, 4...20mA or RS232
- 去皮、置零、清皮、毛重、零点跟踪等常规称重功能
- 实现TEDS免标定功能
- Compact design
- Wide input range, 0.4...6mV/V
- Four 350Ω sensors can be connected
- Using imported electronic components, with high frequency response and long-term stability, and high accuracy DI±0.001%F.S, AI±0.1%F.S
- Input power reverse protection and output short-circuit protection
- Output mode optional 0...5V, 0...10V, 4...20mA or RS232
- Tare, set zero, gross weight, 0 tracking and other general weighing functions
- Use TEDS for auto calibration

技术参数 / Technical Parameters

参数	Specifications	技术指标/Technique
工作电压	Power supply	10...30V DC
最大功率	Maximum Power	3W
电流输出	Current output	0...20mA/4...20mA (可调)
通讯输出	Communication output	RS232
通讯协议	Communication protocol	Modbus RTU、FREE、ASCII
电压输出	Voltage output	0...5V/0...10V
激励电压	Recommended excitation	5VDC
信号输入范围	Signal Input	0.4...6mV/V
输入输出通道	Channel qty	1路输入1路输出 (One input and one output)
标定方式	Electronic identification	TEDS免标定, 数字砝码标定
采集频率	Acquisition frequency	1280Hz
零位漂移	Zero drift	±0.1uV/°C
增益漂移	Gain drift	±5ppm/°C
综合精度	Accuracy	0.001% F.S.
工作温度	Operation temp range	-10...60°C
存储温度	Deposited temperature	-30...80°C
外壳材料	Material	Aluminum alloy (铝合金)
防护等级	IP Class	IP53
重量	Weight	0.1kg