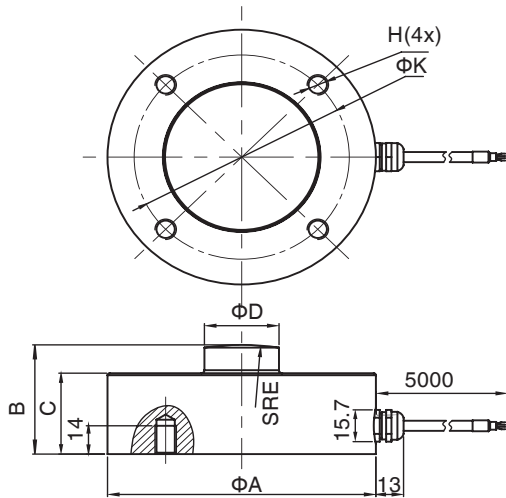


F1811

尺寸及量程 / Size and Capacity



SIZE(mm) CAP(kN)	A	B	C	D	E	K	H	材料/Material	重量/Weight
2.5/5/10/20/30/ 50/100	82	44	32	22	50	68	M8	不锈钢/Stainless steel	1.2kg
200	100	48	36	28	100	80	M8		1.6kg
300	126	54	40	35	100	101	M10		3.2kg

技术参数 / Technical Parameters

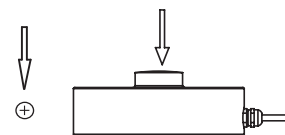
参数	Specifications	技术指标/Technique
输出灵敏度	Rated output	1.5±0.15mV/V
零点输出	Zero balance	±0.03mV/V
非线性	Non-linearity	±0.1%F.S.
滞后	Hysteresis	±0.1%F.S.
重复性	Repeatability	±0.1%F.S.
蠕变 (30分钟)	Creep[30min]	±0.1%F.S.
灵敏度温度漂移	Temp.effect on output	±0.05%F.S./10°C
零点温度漂移	Temp.effect on zero	±0.05%F.S./10°C
输入电阻	Input impedance	750±10Ω
输出电阻	Output impedance	700±5Ω
绝缘电阻	Insulation	≥5000MΩ
激励电压	Recommended excitation	5...10VDC
最大激励电压	Maximum excitation	15VDC
温度补偿范围	Compensated temp.range	-10...40°C
工作温度范围	Operation temp.range	-20...80°C
安全超载	Safe overload	150%F.S.
极限超载	Ultimate overload	200%F.S.
电缆线尺寸	Cable size	Φ5×5000mm
防护等级	Protection	IP66
连接方式	Cable color code	Input:Red[+] Black[-]; Output:Green[+] White[-]; 输入:红[+]黑[-]; 输出:绿[+]白[-];



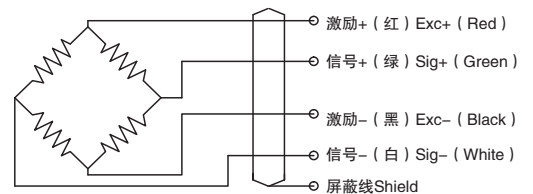
特点和用途 / Features&Applications

- 低轮廓称重传感器，纽扣设计
- 采用不锈钢材料
- 防护等级为IP66，具有防水、防潮功能
- 结构紧凑，易于安装，应用广泛，用于压装机械，轴承的装配机械、轮轴识别
- Low profile pancake load cell, standard button design
- Made of stainless steel
- IP66, waterproof and moisture-proof
- Compact structure, easy to install
- Various applications such as pressing machine, bearing assembly machine, axle wheel identifying

受力方式 / Load Direction



接线图 / Schematic Wiring Diagram



注：屏蔽线不与弹性体相连。
Note: Cable shield is not connected to element.