

三相交流電壓/電流電錶(96x96mm) (3 PHASE AC VOLTAGE/CURRENT METER,96x96mm)

**MODEL
MMP-VI**



■特點(FEATURES)

- 精確度0.15%滿刻度(Accuracy 0.15% F.S.)
- 可同時量測與顯示三相交流相電壓、線電壓、電流(Measuring ACV-line/ACV-phase/A)
- 可量測電壓諧波/電流諧波之諧波失真率(THD)至31次諧波
(Measuring ACV/ACA total harmonic distortion (THD), up to 31th harmonic)
- 交流電壓、電流皆為真正有效值(TRMS)(ACV/ACA for true RMS)
- CT比與PT比可任意設定(1至9999)(CT rate/PT rate can be modified(1 to 9999))
- 突波測試強度4仟伏特(1.2x50us)(Surage test 4KV(1.2x50us))
- 4組警報控制功能(Four alarm control function)(optional)
- 數位RS-485界面(Digit RS-485 interface function)(Optional)

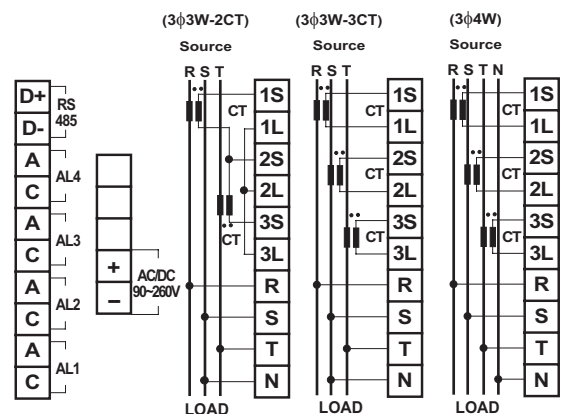
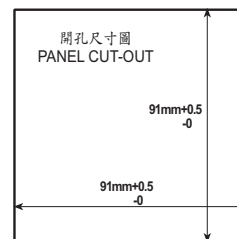
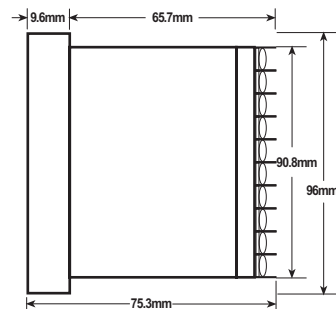
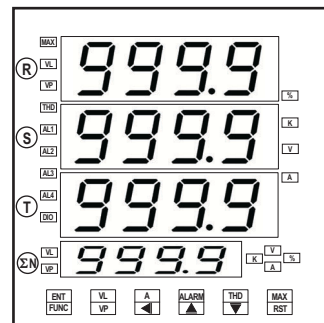
1.MODEL:MMP-VI-□□□□ (選購型號)

NO	Alarm Output	NO	RS-485	NO	Harmonic	NO	Aux. Power
N	None	N	None	N	None	A	AC/DC18~60V
R	Four-Relay	Y	RS-485	Y	Harmonic	B	AC/DC90~260V
P	Four-Pulse		•Modbus mode		•THD up to 31 th		•Less 4VA for AC/DC input

2.SPECIFICATION (主要規格)

- Measuring accuracy : 0.15% F.S.(V,A)
(精確度) 2% F.S.(THD to 31th)
- Input burden : <0.1VA (Voltage/ Current)
(輸入負載)
- Maximum input over : Voltage related input: maximum AC 750V
(最大過載能力) Current related input: 3 x rated continuous
10 x rated 30 sec. 25 x rated 3 sec. 50 x rated 1 sec.
- Over input indication : "doFL"
(過載顯示)
- Measurement range : AC voltage(3~500V)(45~65Hz)
(輸入範圍) AC current(0.025~5A)(45~65Hz)
- Sampling time : 2 cycles/second(total)
(取樣時間)
- CT/PT rate : 1~9999 adjustable(CT rate)
(CT/PT 比值) 1.0~999.9 adjustable(PT rate)
- Alarm delay time : 0~±999 second adjustable
(繼電器延遲動作時間)
- Transistor output type : Photo couple of open-collector
(電晶體輸出形式) (Max.DC60V/120mA)
- Relay contact output : AC 250V-5A, DC 30V-7A
(繼電器容量)
- RS-485 adress : "01"~"FF"(0~255)
(通訊位址)
- RS-485 baud rate : 19200/9600/4800/2400 selective
(傳輸速度)
- RS-485 protocol : Modbus RTU mode
(通信協議)
- Temp. coefficient : 50ppm/°C (0~60°C)
(溫度係數)
- Display : Red high efficiency LEDs high 14.22mm(0.56")
(顯示幕) Red high efficiency LEDs high 9.14mm(0.36")(ΣN)
- Parameter setting : Touch switches
(參數設定方式)
- Memory mode : Non-volatile E² PROM memory
(記憶型式)
- Dielectric strength : 2KVac/1 min. (input/output/power)
(絕緣耐壓能力) 1600Vdc (input/output)
- Surge test : ANSI c37.90a/1974,DIN-IEC 255-4
(突波測試) impulse voltage 4KV(1.2x50us)
- Operating condition : 0~50°C (20 to 90% RH non-condensed)
(使用環境條件)
- Storage condition : 0~70°C (20 to 90% RH non-condensed)
(存放環境條件)
- CE EMC Certification : EN 55022:1998/A1:2000 Class A
(CE認證) EN 61000-3-2:2000
EN 61000-3-3:1995/A1:2001
EN 55024:1998/A1:2001

3.OUTSIDE DIMENSION AND CONNECTION DIAGRAM (外型尺寸與開孔尺寸與配線圖)



Note: Relay o/p

A
C

 ↔

E
C

 Transistor o/p