

# 交流瓦特, 乏爾轉換器 (AC WATT & VAR TRANSDUCER)

MODEL  
PW



## ■特點(FEATURES)

- 精確度0.25%滿刻度(Accuracy 0.25%F.S)
- 多種輸入,輸出選擇(Wide selection of input/output range)
- 輸入與輸出絕緣耐壓2仟伏特/1分鐘(Dielectric strength 2KVac/1min. (input/output/power))
- 沖擊電壓測試5仟伏特(1.2x50us)(Impuse test 5KV(1.2x50us)(IEC255-4,ANSI C37.90a/1974)
- 突波電壓測試2.5仟伏特(0.25ms/1MHz)(Surge test (ring wave)2.5KV(0.25ms/1MHz)(IEC255-4)
- 尺寸小,穩定性高(Dimension small and High stability)

1.MODEL:PW-□□-□□□□-□□□□  
(選購型號)

| NO | Type | NO | Input Unit | NO | VoitageRange | NO | Current Range | NO | Frequency     | NO | Output Range     | NO | Output Range   | NO | Aux.Power                 |
|----|------|----|------------|----|--------------|----|---------------|----|---------------|----|------------------|----|----------------|----|---------------------------|
| W  | WATT | 1  | 1φ2W       | 1  | 0~120V       | 1  | 0~1A          | A  | 50Hz          | B  | DC0~1V           | F  | DC0~1mA        | A  | AC110/220V                |
| V  | VAR  | 3  | 3φ3W       | 2  | 0~240V       | 2  | 0~5A          | B  | 60Hz          | C  | DC1~5V(uni.)     | G  | DC0~10mA       | B  | AC/DC20~60V               |
|    |      | 4  | 3φ4W       | 3  | 0~400V       | 9  | SPECIFIED     | C  | 400Hz         | D  | DC0~10V          | H  | DC0~20mA       | C  | AC/DC90~260V              |
|    |      | 9  | SPECIFIED  | 9  | SPECIFIED    |    |               | O  | SPECIFIED     | E  | DC2~10V          | I  | DC4~20mA(uni.) |    | •Less 4VA for AC/DC input |
|    |      |    |            |    | •Voltage±30% |    |               | J  | DC1~3~5V(bi.) | K  | DC4~12~20mA(bi.) |    |                |    |                           |

**Note:1.** uni.=uni-direction=0 to +span  
Example:4~20mA =0 to +1000W

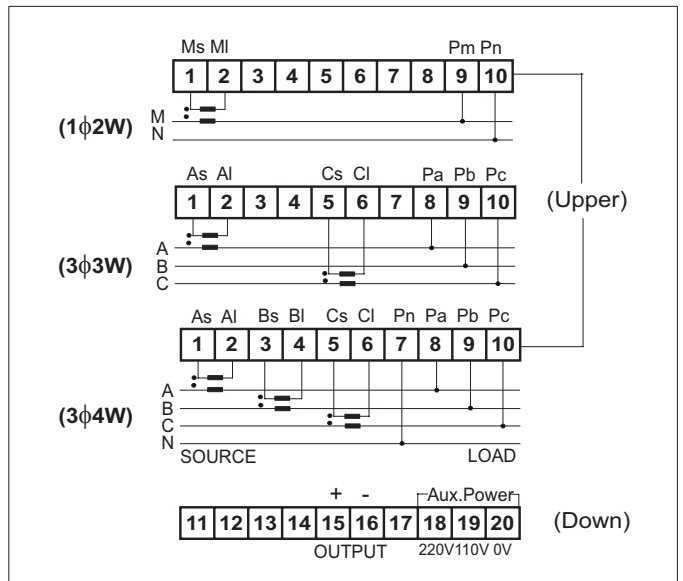
**Note:2.** bi=bi-direction=-span to 0 to +span  
4~12~20mA=-1000W to 0 to +1000W

**Note:3.** uni-direction for watt of forward power,for var of lagging power

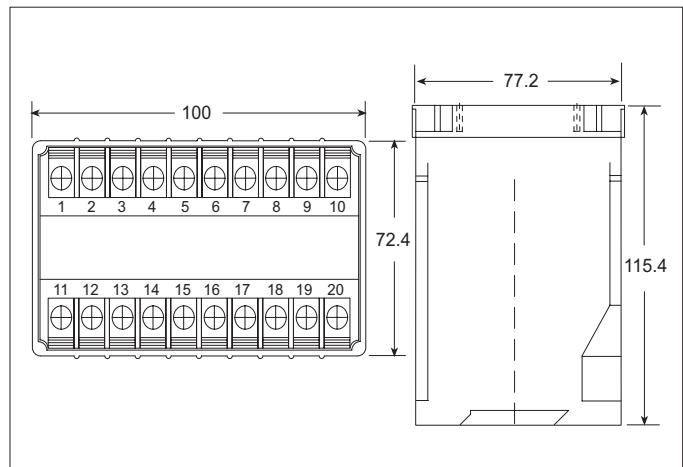
## 2.SPECIFICATION (主要規格)

- Measuring accuracy (精確度) : 0.25% F.S. (23±5°C)
- Input burden (輸入負載) : <0.2VA (Voltage) <0.2VA (Current)
- Maximum input over (最大過載能力) : Current related input: 3 x rated continuous 10 x rated 30 sec. 25 x rated 3sec. 50 x rated 1sec. Voltage related input:maximum 2 x rated continuous
- Response time (輸出反應速度) : < 250ms(0~90%)
- Output drive capability (輸出負載能力) : < 10mA for voltage mode < 10V for current mode
- Output ripple (p-p) (輸出之漣波) : < 0.1% F.S.
- Zero (offset) range (歸零調整範圍) : 0~±5% F.S.
- Span (scale) range (最大值調整範圍) : 0~±10% F.S.
- Temp. coefficient (溫度係數) : 100ppm/°C (0~50°C)
- Isolation (隔離特性) : Input/Output/Power/Case
- Dielectric strength (絕緣耐壓能力) : 2KVac/1 min. (input/output/power/case)
- Impulse test (衝擊電壓測試) : ANSI C37.90a/1974,DIN-IEC 255-4 impulse voltage 5KV (1.2 x 50us)
- Surge test(ring wave) (突波電壓測試) : 2.5KV-0.25ms/1MHz(IEC255-4)
- Operating condition (使用環境條件) : -20~60°C (20 to 90% RH non-condensed)
- Storage condition (存放環境條件) : -30~70°C (20 to 90% RH non-condensed)
- CE EMC Certification (CE認證) : EN 55022:1998/A1:2000 Class A EN 61000-3-2:2000 EN 61000-3-3:1995/A1:2001 EN 55024:1998/A1:2001

## 3.Terminal Connection (接線圖)



## 4.Dimension(unit:mm)(外型尺寸)



| MODEL |      | Element connection | Standard analog calibration Watts or Vars |      |        |    |        |    |
|-------|------|--------------------|---|------|--------|----|--------|----|
| Watts | Vars |                    | V=120V                                    |      | V=240V |    | V=400V |    |
|       |      |                    | 1A  | 5A   | 1A     | 5A | 1A     | 5A |
| PW1   | PV1  | 1φ2W               | 100                                       | 500  | 200    | 1K | 400    | 2K |
| PW3   | PV3  | 3φ3W               | 200                                       | 1K   | 400    | 2K | 800    | 4K |
| PW4   | PV4  | 3φ4W               | 300                                       | 1.5K | 600    | 3K | 1.2K   | 6K |