

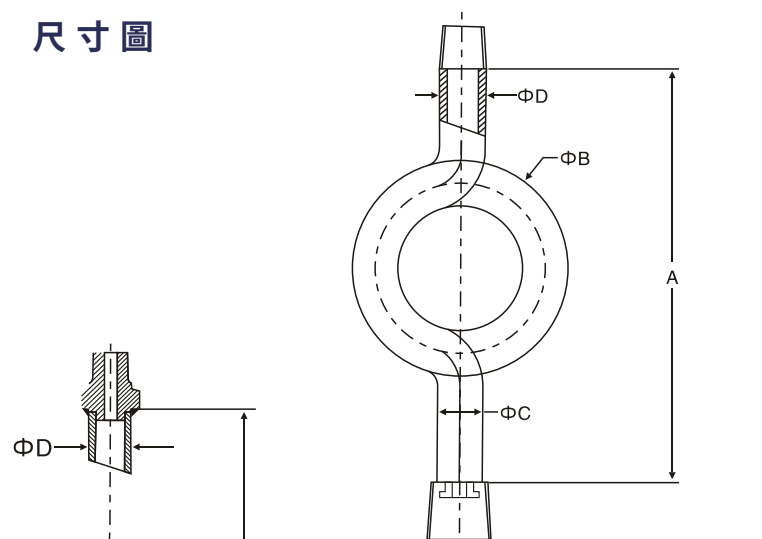
- 主要用於保護壓力感測器. 儀表. 開關和傳送器
- 內部填充耐高溫油體
- 可分散源頭的溫度，產生冷卻效果



## 規格特性

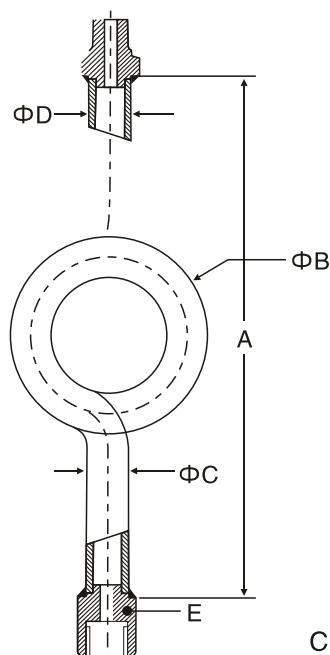
- ◆ 材質: AISI 316 Stainless Steel
- ◆ 管徑尺寸: Schedule 40\*
- ◆ 操作溫度: Carbon steel : 150 kg/cm<sup>2</sup> at 430 °Cmax.  
Stainless steel : 135 kg/cm<sup>2</sup> at 450 °Cmax.

## 尺寸圖



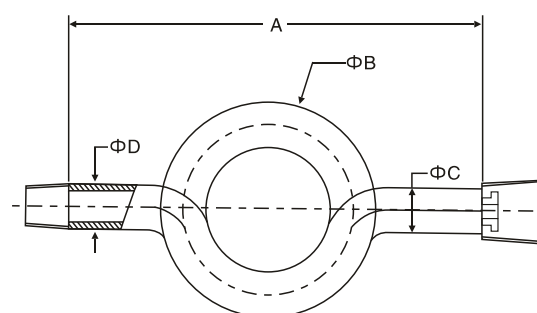
Pipe size	A	ΦB	ΦC	ΦD	E
1/2" Sch.40	240		21.3	15.7	25
1/2" Sch.80	240		21.3	13.9	25
1/2" Sch.160	240		21.3	11.7	25

Coil Type



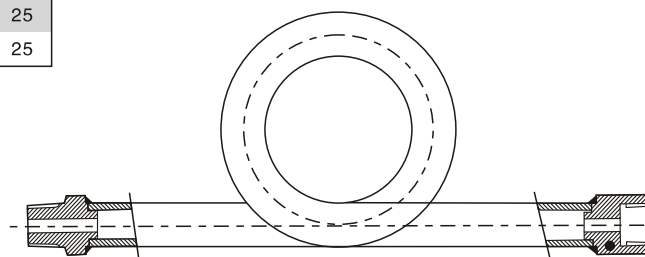
Pipe size	A	ΦB	ΦC	ΦD	E
1/2" Sch.40	240	58	21.3	15.7	25
1/2" Sch.80	240	58	21.3	13.9	25
1/2" Sch.160	240	58	21.3	11.7	25

Coil Type



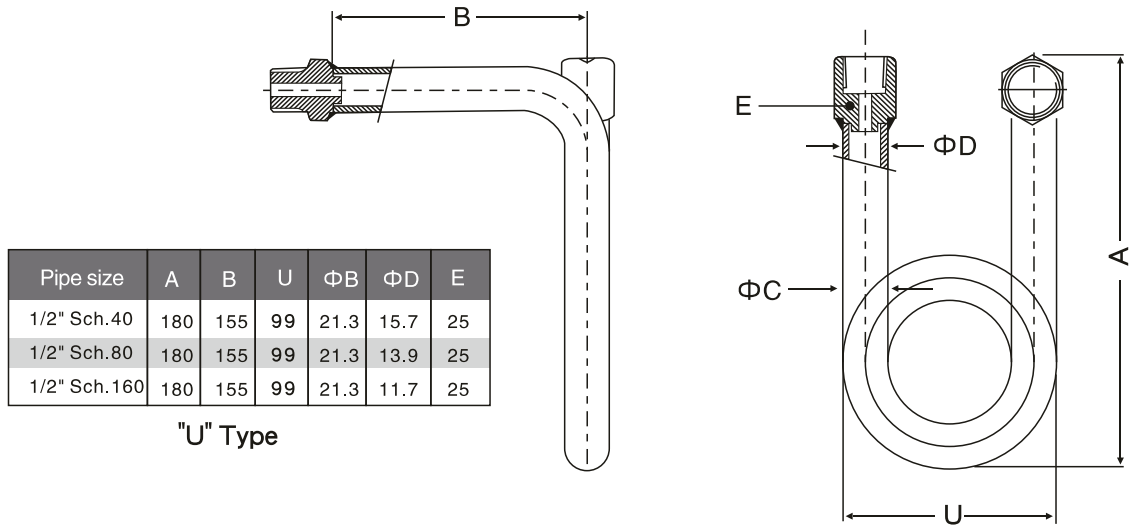
Pipe size	A	ΦB	ΦC	ΦD	E
1/2" Sch.40	240	110	21.3	15.7	25
1/2" Sch.80	240	110	21.3	13.9	25
1/2" Sch.160	240	110	21.3	11.7	25

Pigtail Type



Pipe size	A	ΦB	ΦC	ΦD	E
1/2" Sch.40	240	58	21.3	15.7	25
1/2" Sch.80	240	58	21.3	13.9	25
1/2" Sch.160	240	58	21.3	11.7	25

Pigtail Type



## 選用型號規格

BCF- □ - □ - □ - □

## TYPE

G11 COILTYPE  
G13 'U' TYPE

G12 PIGTAIL TYPE

## MATERIAL OF CONSTRUCTION

AE3 CARBON STEEL  
AE1 AISI316 SS  
AE5 MILD STEEL WITH  
CHROME PLATING

AE4 AISI304 SS  
AE2 AISI316L SS

## CONNECTION

J1 1/4" BSP (M x F)  
J3 1/4" NPT (M x F)  
J5 3/8" BSP (M x F)  
J2 3/8" NPT (M x F)  
J4 1/2" BSP (M x F)  
J6 1/2" NPT (M x F)  
J7 1/2" NPT (M) x PLAIN END

J8 1/4" BSP (M x M)  
J9 1/4" NPT (M x M)  
J10 3/8" BSP (M x M)  
J11 3/8" NPT (M x M)  
J12 1/2" BSP (M x M)  
J13 1/2" NPT (M x M)

## OPTIONS

K7 1/2" SCHEDULE 80 PIPE  
K9 1/2" SCHEDULE 160 PIPE  
K10 WITH IBR APPROVAL  
K11 SWIVEL FEMALE CONNECTION

K8 ADAPTOR FOR MALE THREADING