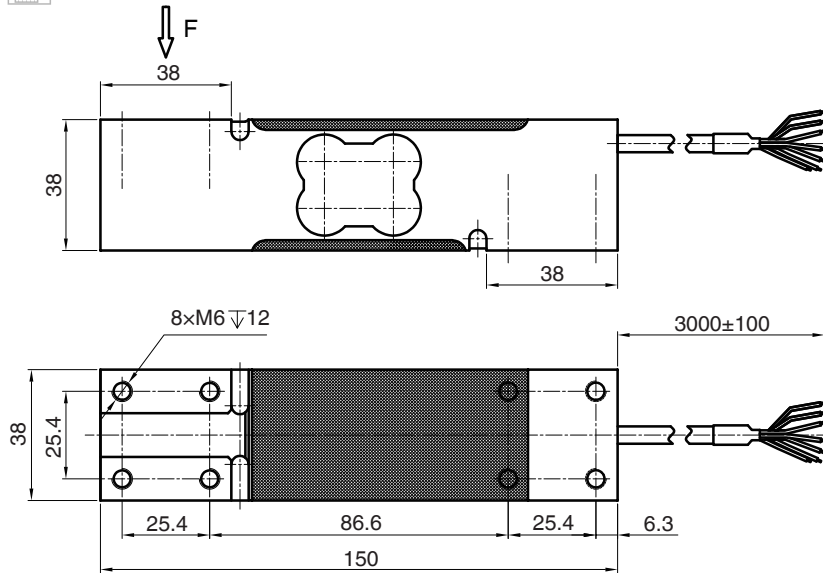


F4883

尺寸及量程 / Size and Capacity



量程 / Capacity (kg)	材料 / Material	重量 / Weight
8/15/20/30/50/100/200/300	铝合金 / Aluminum alloy	0.6kg

技术参数 / Technical Parameters

参数	Specifications	技术指标 / Technique
输出灵敏度	Rated output	2.0± 0.2 mV/V
零点输出	Zero balance	± 5% F.S.
非线性	Non-linearity	±0.02% F.S.
滞后	Hysteresis	±0.02% F.S.
重复性	Repeatability	±0.02% F.S.
蠕变 (30分钟)	Creep (30min)	±0.02% F.S.
灵敏度温度漂移	Temp. effect on output	±0.02% F.S. / 10°C
零点温度漂移	Temp. effect on zero	±0.014% F.S. / 10°C
输入电阻	Input impedance	410 ± 10 Ω
输出电阻	Output impedance	350 ± 5 Ω
绝缘电阻	Insulation	≥5000MΩ/100VDC
使用电压	Recommended excitation	5...10 VDC
最大使用电压	Maximum excitation	15 VDC
温度补偿范围	Compensated temp. range	-10...+40°C
工作温度范围	Operation temp. range	-20...+65°C
安全超载	Safe overload	150% F.S.
极限超载	Ultimate overload	200% F.S. (100kg...300kg) 300% F.S. (8kg...50kg)
电缆线尺寸	Cable size	Ø5 × 3,000 mm
台面尺寸	Platform size	600 × 500 mm
防护等级	Protection class	IP67
连接方式	Cable color code	Input: Red (Exc+) Black (Exc-) Sense: Blue (Sen+) Yellow (Sen-) Output: Green (Sig+) White (Sig-) Yellow-Green: Shield 输入: 红 (Exc+) 黑 (Exc-) 输出: 蓝 (Sen+) 黄 (Sen-) 输出: 绿 (Sig+) 白 (Sig-) 屏蔽线: 黄绿

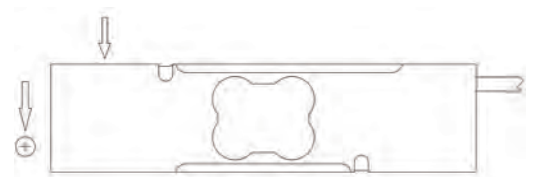


特点和用途 / Features & Applications

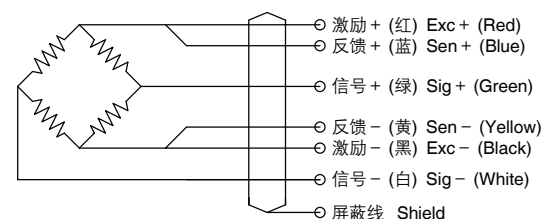
- 优秀的动态响应性，称重效率高
- 综合精度高，对温度变化不敏感
- 偏心负载补偿
- 极具性价比的称重解决方案
- 适用于尺寸的检重秤、皮带秤、包装秤称重应用

- Excellent dynamic responsiveness, to raise weighing efficiency
- High accuracy with low temperature drift
- Off-center load compensation
- Extremely cost effective weighing solution
- Suitable for all sizes of checkweigher, belt scale and packaging machine weighing applications

受力方式 / Load Direction



接线图 / Schematic Wiring Diagram



注：屏蔽线接弹性体。
Shield is connected to spring body.