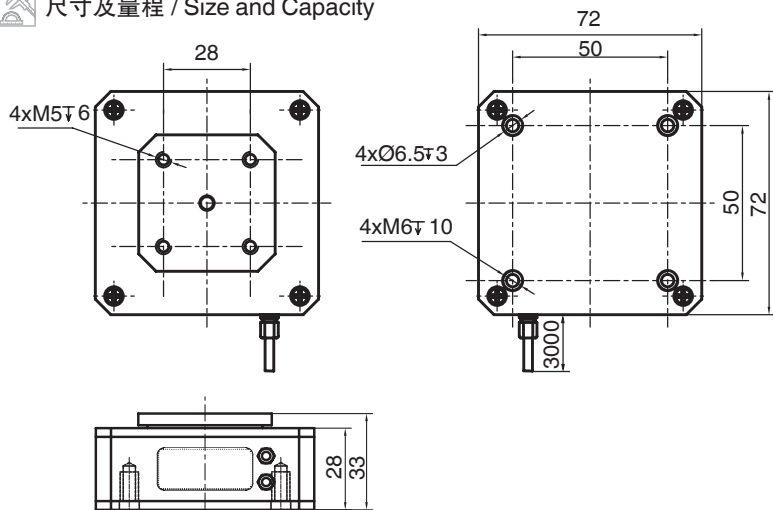


F9866

尺寸及量程 / Size and Capacity



	Fx	Fy	Fz	Mx	My	Mz	材料 / Material	重量 / Weight
量程 / Capacity	100N	100N	100N	3N.m	3N.m	10N.m	铝合金 / Aluminum alloy	0.17kg
	200N	200N	200N	6N.m	6N.m	20N.m		
	300N	300N	300N	9N.m	9N.m	30N.m		
输出灵敏度 Output(mV/V)	1.0	1.0	1.0	1.0	1.0	0.5		

技术参数 / Technical Parameters

注：六个方向的力的相互干扰误差小于 5%。
Note: Interference among six dimensions \leq 5%.

参数	Specifications	技术指标/Technique (Fx,Fy,Fz,Mx,My,Mz)
零点输出	Zero balance	\pm 2% F.S.
非线性	Non-linearity	\pm 0.5%F.S.
滞后	Nysteresis	\pm 0.5%F.S.
重复性	Repeatability	\pm 0.5%F.S.
调前串扰	Crosstalk-No Adjustment	5% F.S.
调后串扰	Crosstalk-With Adjustment	2.5% F.S.
灵敏度温度漂移	Temp. effect on output	\pm 0.5%F.S. / 10 $^{\circ}$ C
零点温度漂移	Temp. effect on zero	\pm 0.5%F.S. / 10 $^{\circ}$ C
输出电阻	Output impedance	350 \pm 5 Ω
绝缘电阻	Insulation	\geq 5000M Ω
激励电压	Recommended excitation	5...15VDC
最大激励电压	Maximum excitation	15VDC
工作温度范围	Operation temp. range	-20 ... 80 $^{\circ}$ C
安全超载	Safe overload	150% F.S.
极限超载	Ultimate overload	200% F.S.
电缆线尺寸	Cable size	\varnothing 2.4 \times 3000 mm (2x)
防护等级	Protection class	IP65
连接方式	Cable color code	Power: Exc+(Red) Exc-(Black) Fx: Sig+(Green) Sig-(White) F Channel: Fy: Sig+(Blue) Sig-(Yellow) Fz: Sig+(Brown) Sig-(Grey) Mx: Sig+(Green) Sig-(White) M Channel: My: Sig+(Blue) Sig-(Yellow) Mz: Sig+(Brown) Sig-(Grey) 电压: 输入+(红) 输入-(黑) Fx: 信号+(绿) 信号-(白) 力通道: Fy: 信号+(蓝) 信号-(黄) Fz: 信号+(棕) 信号-(灰) Mx: 信号+(绿) 信号-(白) 力矩通道: My: 信号+(蓝) 信号-(黄) Mz: 信号+(棕) 信号-(灰)



特点和用途 / Features&Applications

- 六维力测量
- 铝合金材料，安装替换方便
- 精度高
- 应用于遥控机器，机器人手术，机械手臂研究，手指力研究，精密装配，自动磨削、轮廓跟踪、双手协调
- Six dimensional force sensor
- Made of anodized aluminum alloy, easy to install and replace
- High accuracy
- Widely used for teleoperator, robotic surgery, precise assembly, automatic grinding, contour tracing, robot arms coordination

受力方式 / Load Direction

