

# 兩線式/三線式 電位計傳送器(超小型)

(TWO-WIRE/THREE WIRE POTENTIOMETER TRANSMITTER)(mini-size)

MODEL  
TWK



## ■特點(FEATURES)

- 精確度±0.025%滿刻度(Accuracy±0.025%F.S.)
- 寬輸入範圍500ohm至50Kohm(Wide input range from 500 ohm to 50Kohm)
- 寬範圍電源輸入直流10至28伏特(Field-rangeable supply voltage from 10 to 30V)
- 超小尺寸(51.5x22.2x19.3mm)(Dimension mini-size(51.5x22.2x19.3mm))
- 低價位與高可靠度(Low cost and high stability)
- CE認證(CE EMC certification)

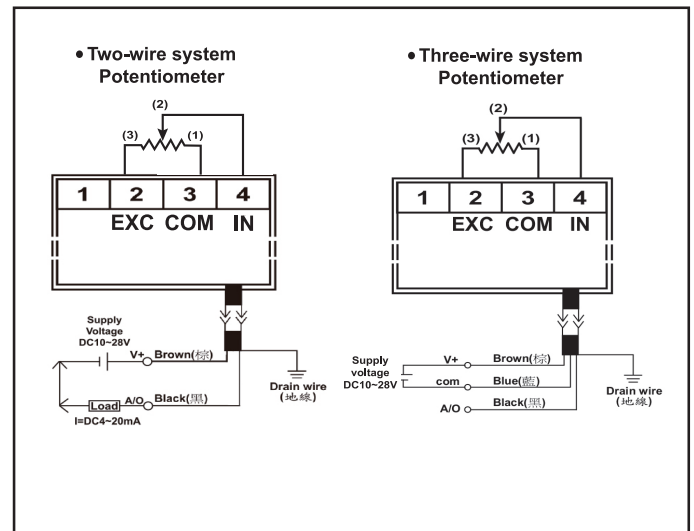
1.MODEL:TWK-□ □ □  
(選購型號)

| NO                              | Input Range | NO | Input Range | NO | Output Range                | NO                         | Output cable length |
|---------------------------------|-------------|----|-------------|----|-----------------------------|----------------------------|---------------------|
| 1                               | 5~95%       | 3  | 0~100%      | A  | DC4~20mA(Two-wire system)   | 2                          | 2M(standard)        |
| 2                               | 10~90%      | 9  | SPECIFIED   | C  | DC1~5V(Three-wire system)   | 9                          | Customer            |
| •Resistance range300 ohm~50Kohm |             |    |             | D  | DC0~10V(Three-wire system)  | •3cond.+shield,#28AWG, PVC |                     |
|                                 |             |    |             | I  | DC4~20mA(Three-wire system) |                            |                     |

## 2.SPICIFICATION (主要規格)

- Measuring accuracy (精確度) : ±0.05 % F.S.(23±5°C)
- Sensor power supply (感應器電源) : DC1.24V(<2.5mA)(Two-wire system)  
DC2.5V(<12.5mA)(Three-wire system)
- Output current (supply voltage) (輸出電流(供應電源)) : DC10 to 28 V (Output DC4~20mA/1~5V)  
DC14 to 28 V (Output DC0~10V)
- Output load capability (輸出負載能力) : >1Kohm (Voltage output)  
<[(Vs-8V)/0.02A]ohm (Current output)
- Response time (輸出反應時間) : <50ms (0~90%)
- Output ripple(p-p) (輸出漣波) : <0.05% F.S.
- Zero (offset) range (歸零調整範圍) : 0~±20%F.S.(Three-wire)  
-5~+2.5%F.S.(Two-wire)
- Span (scale) range (最大值調整範圍) : 0~±20%F.S.(Three-wire)  
-5~+10%F.S.(Two-wire)
- Temp. coefficient (溫度係數) : 50ppm/°C (0~60°C)
- Isulation resistance (絕緣阻抗) : >100M ohm with 500Vdc
- Dielectric strength (絕緣耐壓能力) : 2KVac/1 min. (input/case)
- RFI protection (RFI保護) : 2W-150MHz at 2 meter causes less than 0.5% change in output
- Operating condition (使用環境條件) : 0~60°C (20 to 90% RH non-condensed)
- Storage condition (存放環境條件) : 0~70°C (20 to 90% RH non-condensed)
- Input wire range (輸入配線規格) : #14~#26AWG (0.2~2.0mm<sup>2</sup>)
- Case materials (外殼材料) : PC+ABS
- CE EMC Certification (CE 認證) : EN 55022:1998/A1:2000 Class A  
EN 61000-3-2:2000  
EN 61000-3-3:1995/A1:2001  
EN 55024:1998/A1:2001

## 3.TERMINAL CONNECTION (接線圖)



## 4.DIMENSION (unit:mm) (外型尺寸)

