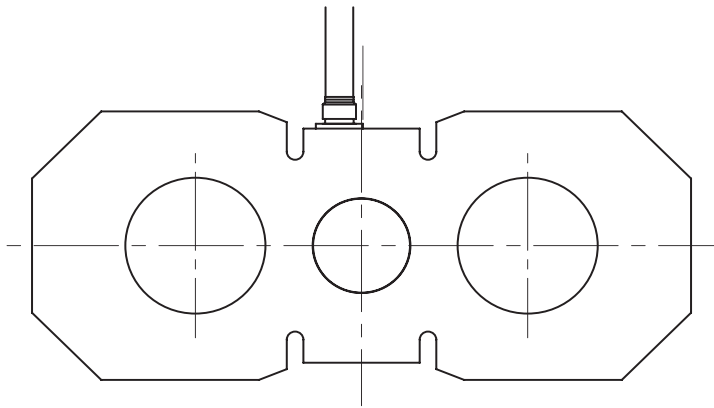
 尺寸及量程 / Size and Capacity


注：可根据客户需求定制产品。  
Note: Dimensions acc customer requirement.


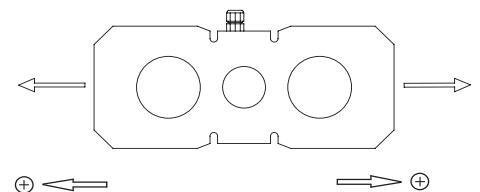
量程 / Capacity (t)	材料 / Material
0.1~200	不锈钢 / Stainless steel

 技术参数 / Technical Parameters

参数	Specifications	技术指标/Technique
输出信号	Rated output	4...20mA (三线/three wires) 0...10V (可选/Option)
零点输出	Zero balance	±1% F.S.
非线性	Non-linearity	±0.5%F.S.
滞后	Hysteresis	±0.2%F.S.
重复性	Repeatability	±0.1%F.S.
蠕变 (30分钟)	Creep(30min)	±0.05%F.S.
灵敏度温度漂移	Temp. effect on output	±0.05%F.S. / 10°C
零点温度漂移	Temp. effect on zero	±0.05%F.S. / 10°C
绝缘电阻	Insulation	≥5000MΩ
激励电压	Recommended excitation	24VDC
最大激励电压	Maximum excitation	32VDC
负载阻抗	Burden impedance	(UB-10V)/0.02A
温度补偿范围	Compensated temp. range	-10...40°C
工作温度范围	Operation temp. range	-20...80°C
安全超载	Safe overload	120% F.S.
极限超载	Ultimate overload	150% F.S.
防护等级	Protection class	IP67
负载	Burden	for current output 电流输出 < (UB-10 V)/0.024 A for voltage output 电压输出 > 10 kΩ
连接器	Connector	M12*1-4P


 特点和用途 / Features&Applications

- 不锈钢材料
- 精度高，容易安装
- 替代原来的拉链，经济实惠
- 形状尺寸可定制，IP67
- 应用于起重机、吊钩秤、各类吊机
- Made of stainless steel
- High accuracy, easy to install
- Affordable replacement of original tension links to gain overload protection
- Customized size and shape possible, IP67 protection
- Used for various kinds of crane and hook scales

 受力方式 / Load Direction

 接线图 / Schematic Wiring Diagram
