

6位數微電腦型多功能計時器(48x48mm)

(6 DIGIT MULTI-FUNCTION MICROPROCESS TIMER , 48X48mm)

**MODEL
MT48**



■特點(FEATURES)

- 高警報效果,當警報2動作時顯示幕自動變換顏色(紅/綠/橘色)
(Auto.change red or green or orange display when alarm status changes)
- 脈波輸入型式 NPN/PNP 可選擇(Pulse input type NPN/PNP can be modified)
- 脈波輸入信號時間1ms/20ms可選擇(Pulse input signal timer 1ms/20ms can be modified)
- 計時方向Up/Down可以選擇(Timer counting direction Up/Down can be modified)
- 12種計時時間範圍(999.999秒至999999小時)可選擇
(Twelve timer counting range form 999.999 second to 999999 hour can be modified)-(Time)
- 計時器12種輸出模式(A/A1/A2/A3/A5/B/B1/B2/C/D/E/F)可選擇
(Timer eleven output mode A/A1/A2/A3/A5/B/B1/B2/C/D/E/F can be modified)
- 2組警報功能(Two alarm function)

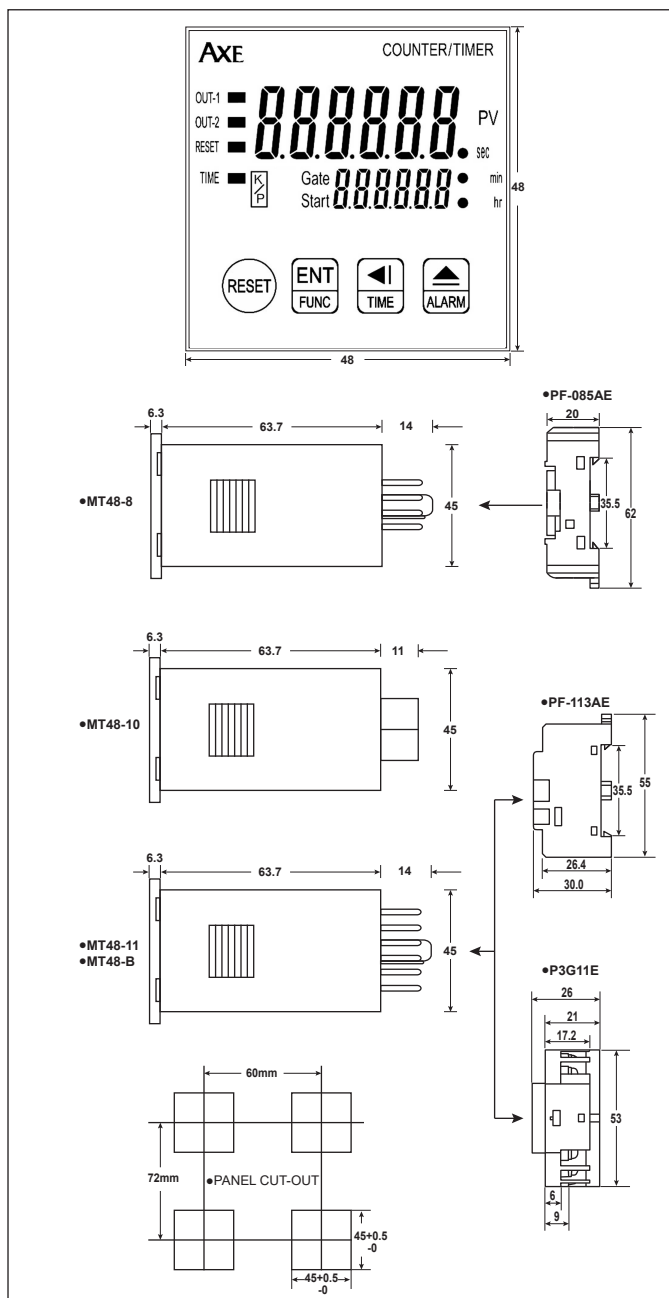
1. MODEL: MT48- X=Input type and output type,reference the connection diagram-back view
(選購型號)

NO	External Connection	NO	External Connection	NO	Source
8	8-pin socket	B	11-pole back connecting socket	A	AC/DC12~48V(<2VA)
10	10-pin socket			B	AC/DC18~60V(<2VA)
11	11-pin socket			C	AC/DC90~260V(<2VA)

2.SPECIFICATION(主要規格)

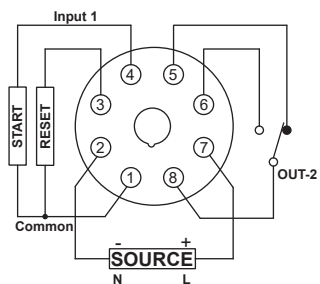
- Source :AC/DC12~48V±5%(input & power non-isolating)
(輔助電源) AC/DC18~60V & 90~260V(input & power isolating)
- Pulse input type :NPN/PNP can be modified
(脈波輸入型式)
- Pulse input signal time :1ms/20ms can be modified
(輸入信號時間)
- Count input trigger levels :High level: $V_{IH}=DC4\sim30V$ (Pulse)
(脈波觸發電位) Low level: $V_{IL}=DC0\sim2V$ (Pulse)
- Readout (Alarm)range :0~999999 digit adjustable
(顯示值(警報值)範圍)
- Timer counting range :999.999s/9999.99s/99999.9s/999999s/99M59.99s/
(計時器計時範圍) 999M59.9s/99999.9M/999999M/99H59M59s/
9999H59M/99999.9H/999999H can be modified
- Timer output mode :A/A1/A2/A3/A5/B/B1/B2/C/D/E/F can be modified
(計時器輸出模式)
- Output hold/one-short time :0 to 99.9 second adjustable
(輸出動作/單觸發時間)
- Relay output responses time :<10ms
(繼電器輸出反應時間)
- Relay contact output :AC250V-5A,DC30V-5A
(繼電器容量)
- Display :Bright red/green/orange LEDs high 10.16mm(0.4")(PV)
(顯示幕) Bright green LEDs high 5.60mm(0.22") (SV)
- Parameter setting :Touch switches
(參數設定方式)
- Sensor power supply :12VDC ±3%(<60mA)
(感應器電源) 10VDC ±3%(<60mA)(Source AC/DC 12V)
- Memory mode :Non-volatile E²PROM memory
(記憶型式)
- Dielectric strength :2KVac/1 min.(input/output/power)(MM48-xxB/C)
(絕緣耐壓能力) 1600Vdc(input/output)
- Operating condition :0~50°C (20 to 90% RH non-condensed)
(使用環境條件)
- Storage condition :0~70°C (20 to 90% RH non-condensed)
(存放環境條件)
- CE EMC Certification :EN 55022:1998/A1:2000 Class A
(CE 認證) EN 61000-3-2:2000
EN 61000-3-3:1995/A1:2001
EN55024:1998/A1:2001

3.OUTSIDE DIMENSION(unit=mm) AND CONNECTION DIAGRAM (外型尺寸(unit=mm)與開孔尺寸與配線圖)

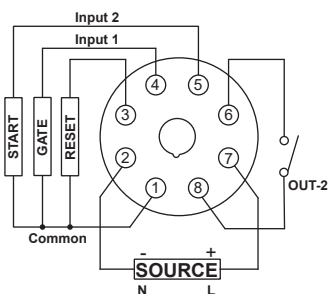


4.CONNECTION DIAGRAM-Back View
(配線底視圖)

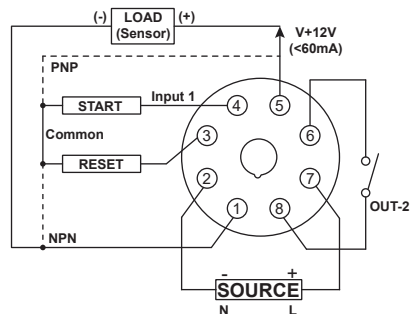
MT48-8A□



MT48-8B□

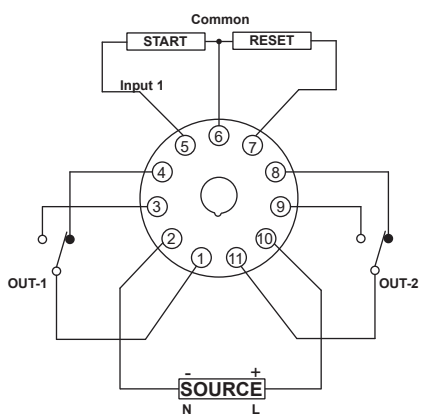


MT48-8M□



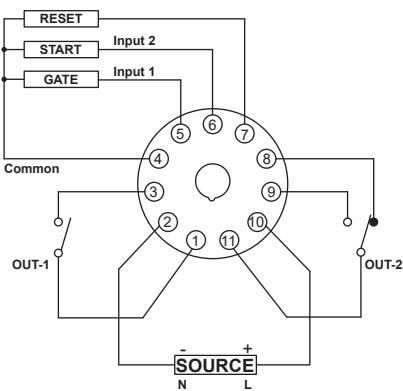
MT48-11A□

MT48-BA□



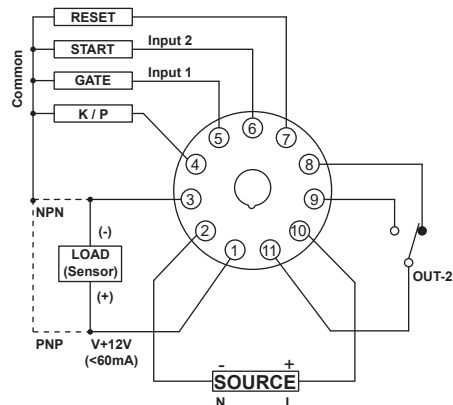
MT48-11B□

MT48-BB□

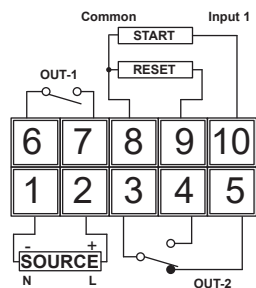


MT48-11M□

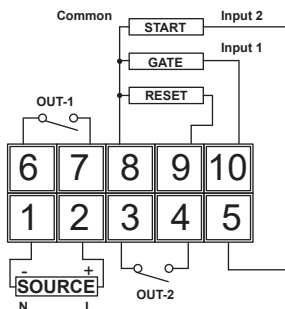
MT48-BM□



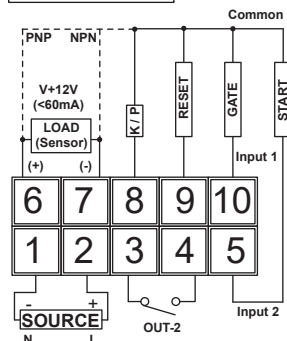
MT48-10A□



MT48-10B□



MT48-10M□



Note1:For "NPN" input, the counter parameter- and the time parameter step-select counter "NPN" input (common=0V)
 Note2:For "PNP" input, the counter parameter- and the time parameter step-select counter "PNP" input (common=V+12V)
 Note3:When the MT48-11M & MT48-10M the K/P key is ON,Lock the all push-button

■Schematic of MT48-8M□ / 10M□ / 11M□ BM□ with sensor or contact
(MT48-8M□ / 10M□ / 11M□ BM□ 接感應器或開關的方法)

